

## SWING ST0531



Win play



3 - 12 years



1 kids



20,7 m<sup>2</sup>



Win play

### Material specification

- Hot-dip galvanized and powder coated steel construction,
- Platforms made of durable anti-slip and waterproof HPL plate,
- Stainless steel handrails,
- Moving elements based on bearings mechanism closed in casing, which do not require periodic greasing and maintenance, ensuring long service life of the device,
- Screws covered with plastic caps and/or stainless steel screws,



Facilitating disability



easy access



handrails



integration



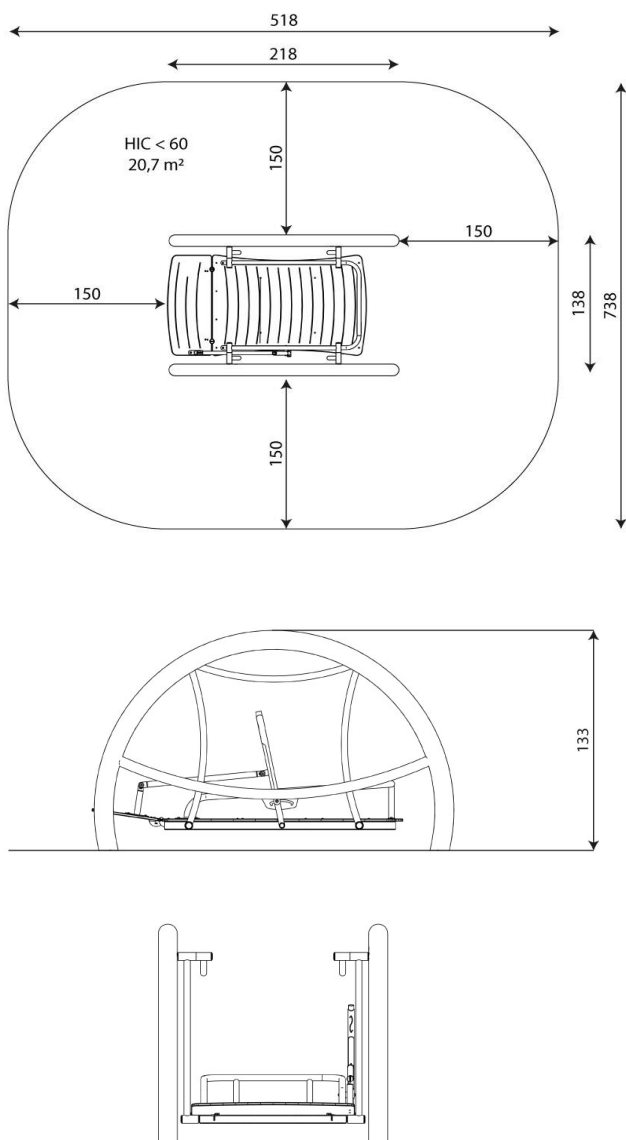
Physical development



community



rocking



## Product technical sheet

# SWING ST0531

### Product data

Length	218 cm
Width	138 cm
Total height	133 cm
Age group	3 - 12 years
Number of users	1 kids
Safety zone	20,7 m2
Free fall height	<60 cm
The height of the platforms	14 cm
In accordance with norm EN	1176-1:2017
Weight of the heaviest part	38 kg
Dimensions of the largest part	217x23x209 cm
Availability of spare parts	YES
Color options	

Data is subject to change without prior notice.

### Additional information

- equipment adapted for the disabled; intended for public playgrounds;
- no sharp edges or chinks that would pose a danger of jimmie the head, fingers or any other body parts;
- render is for reference only, the actual appearance of the equipment and its color may vary;

## Guarantee

- 30** 30 year guarantee - Structural strength of steel and stainless steel components
- 15** 15 year guarantee - Structural failure of steel and stainless steel, for dynamic equipment
- 10** 10 year guarantee - Structural failure of high density polyethylene and high pressure laminates components
- 5** 5 year guarantee - Corrosion of stainless steel and hot dip galvanized and powder coated components; against bark beetles and rot in case of wooden structural elements

Detailed information in the guarantee card

## WIN PLAY GROUP

Add: Building E, Wisniowy Business Park, Ul Ilzecka 26, 02-135, Warsaw, Poland

Tel : +48 221 530 191

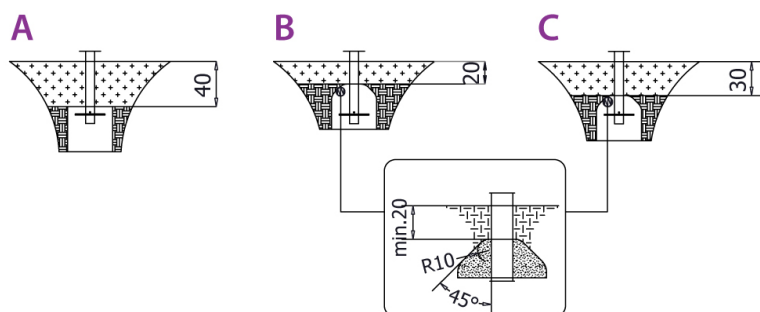
Email: info@playground.com.pl

### Amount of safe surface corresponding with free fall height:

HIC <60 20,7 m<sup>2</sup>

Data is subject to change without prior notice.

	Description (mm)	Layer thickness (cm)	Maximum fall heights (cm)
Turf/ top layer of soil (A,B,C)	-	-	≤100
bark (A,C)	Particle size from 20 to 80	30	≤200
		40	≤300
woodchips (A,C)	Particle size from 5 to 30	30	≤200
		40	≤300
sand or gravel (A,C)	Particle size from 0,25 to 8	30	≤200
		40	≤300
synthetic attested (A,B,C)	Tested according to EN 1177		60



### WIN PLAY GROUP

Add: Building E, Wisniowy Business Park, Ul Ilzecka 26, 02-135, Warsaw, Poland

Tel : +48 221 530 191

Email: info@playground.com.pl