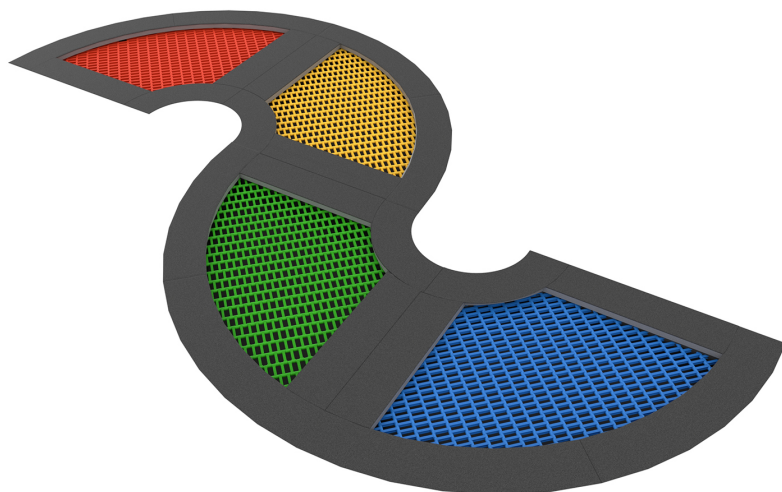


JUMPOO 2222



4 - 15 years



4 kids



44,9 m²

Material specification

- Construction made of hot-dip galvanised steel, mounted below the ground surface,
- The edges of the structure covered with a rubber rim - surface colored SBR glued to the frame,
- Jumping mat: made of polyamide lamellas, threaded on a stainless steel rope,
- Fastening on durable galvanized springs inside the structure,



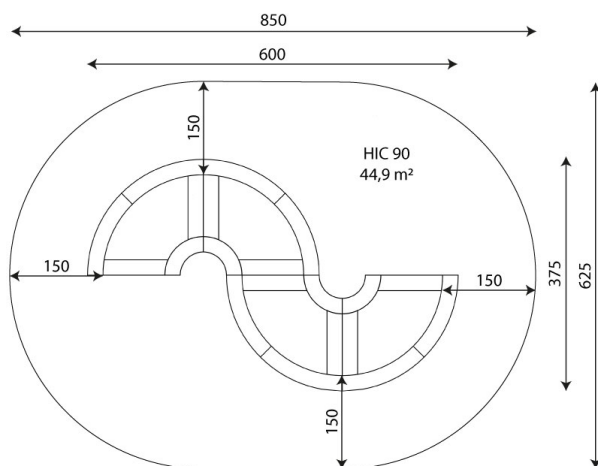
Physical development



balance



community



Product technical sheet

JUMPOO 2222

Product data

| | |
|-----------------------------|--------------|
| Length | 600 cm |
| Width | 375 cm |
| Age group | 4 - 15 years |
| Number of users | 4 kids |
| Safety zone | 44,9 m2 |
| Free fall height | 90 cm |
| In accordance with norm EN | 1176-1:2017 |
| Availability of spare parts | YES |
| Color options | |

Data is subject to change without prior notice.

Additional information

- equipment intended for public playgrounds;
- equipment has a certificate issued by an accredited entity or a declaration of conformity;
- no sharp edges or chinks that would pose a danger of jinning the head, fingers or any other body parts;
- render is for reference only, the actual appearance of the equipment and its color may vary;

Guarantee

- 30** 30 year guarantee - Structural strength of steel and stainless steel components
- 15** 15 year guarantee - Structural failure of steel and stainless steel, for dynamic equipment
- 10** 10 year guarantee - Structural failure of high density polyethylene and high pressure laminates components
- 5** 5 year guarantee - Corrosion of stainless steel and hot dip galvanized and powder coated components; against bark beetles and rot in case of wooden structural elements

Detailed information in the guarantee card

WIN PLAY GROUP

Add: Building E, Wisniowy Business Park, Ul Ilzecka 26, 02-135, Warsaw, Poland

Tel : +48 221 530 191

Email: info@playground.com.pl

JUMPOO 2222

Surfaces according to EN 1176-1:2017

| | Description (mm) | Layer thickness (cm) | Maximum fall heights (cm) |
|---------------------------------|------------------------------|----------------------|---------------------------|
| Turf/ top layer of soil (A,B,C) | - | - | ≤100 |
| bark (A,C) | Particle size from 20 to 80 | 30 | ≤200 |
| | | 40 | ≤300 |
| woodchips (A,C) | Particle size from 5 to 30 | 30 | ≤200 |
| | | 40 | ≤300 |
| sand or gravel (A,C) | Particle size from 0,25 to 8 | 30 | ≤200 |
| | | 40 | ≤300 |
| synthetic attested (A,B,C) | Tested according to EN 1177 | | 90 |

Amount of safe surface corresponding with free fall height:

HIC 90 44,9 m²

Data is subject to change without prior notice.

