

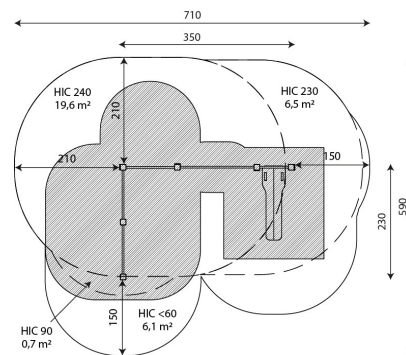
WIN PLAY WORKOUT 2323

WORKOUT EQUIPMENT



Device Specifications	
Safety zone	32,9 m ²
Lenght	350 cm
Width	230 cm
Total height	252 cm
Free fall height	240 cm
Age range	14+ years
In accordance with EN standard	16630:2015
Weight of the heaviest part [kg]	38
Dimension of the biggest part [cm]	10x10x320
Availability of spare parts	Yes

Minimal space



MATERIAL SPECIFICATION

- 100 x 100 mm galvanized and powder coated or stainless steel construction,
- Stainless steel handles,
- Top of the construction secured with durable plastic caps,
- Stainless steel screws,
- Aluminum plate with exercise instructions, screwed to HDPE,
- Seat made of durable, anti-slip and waterproof HPL plate.

ADDITIONAL COMMENTS

- device intended for public outdoor gyms;
- equipment has a certificate issued by an accredited entity or a declaration of conformity;
- no sharp edges or chinks that would pose a danger of jimming the head, fingers or any other body parts;
- anchoring on flat surface, 80 cm deep;
- render is for reference only, the actual appearance of the equipment and its color may vary;

SURFACES

Due to the free fall height of the equipment, the EN 16630:2015 standard allows the following surfaces: sand with minimal layer thickness of 40 cm (A), synthetic material approved for free fall of 2,40 m.