

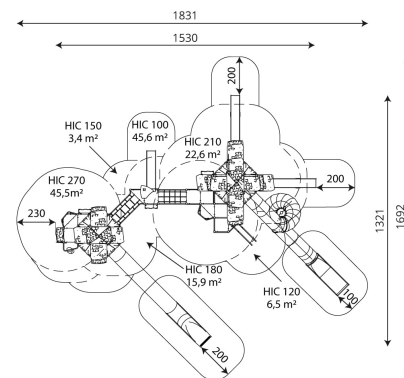
WIN PLAY CASTILLO 3041

PLAYGROUND EQUIPMENT




Device Specifications	
Safety zone	142,2 m ²
Lenght	1530 cm
Width	1321 cm
Total height	900 cm
Free fall height	270 cm
Age range	4 - 14 years
In accordance with EN standard	1176-1:2017
Weight of the heaviest part [kg]	210
Dimension of the biggest part [cm]	8x8x585
Availability of spare parts	Yes

Minimal space



MATERIAL SPECIFICATION

- Steel structure with a profile of 80 x 80 mm, powder galvanized and powder coated or made of stainless steel,
- Platforms, climbing walls and steps made of durable anti-slip and waterproof HPL plates
- Roofs, side panels, moving objects, flag and music panel made of HDPE plate, resistant to weather conditions,
- Transparent polycarbonate panels with a permanent print resistant to scratches and weather conditions,
- Stainless steel bars and handrails,
- Tubular sled made of stainless steel, slide made of stainless steel with HDPE side panels,
- Steel ropes in PP braid, connected with durable plastic elements, stainless steel or aluminum,
- Rubber or polypropylene PP, safe end caps on top of the structure,
- Attested, safe seats; calibrated stainless steel chains, preventing fingers entrapment,
- Durable climbing stones made of polyester resin with mineral fillers.

ADDITIONAL COMMENTS

- equipment intended for public playgrounds;
- equipment has a certificate issued by an accredited entity or a declaration of conformity;
- no sharp edges or chinks that would pose a danger of jimming the head, fingers or any other body parts;
- anchoring on flat surface, 80/70 cm deep;
- slide should not be installed southwards;
- render is for reference only, the actual appearance of the equipment and its color may vary;

SURFACES

Due to the free fall height of the equipment, the EN 1176-1:2017 standard allows the following surfaces: sand with minimal layer thickness of 40 cm (A), synthetic material approved for free fall of 2,70 m (A,B,C).