

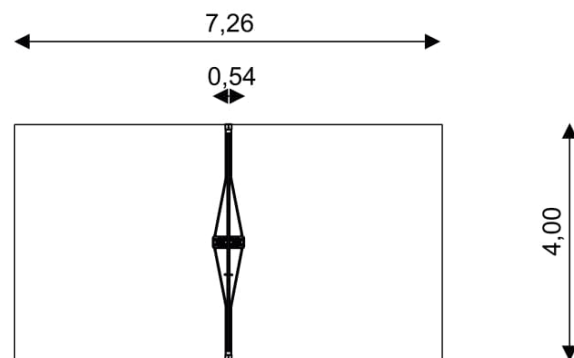
## WIN PLAY SWING ST0518

SWING



Device Specifications	
Safety zone	29,04 m <sup>2</sup>
Length	4,00 m
Width	0,54 m
Total height	3,10 m
Free fall height	< 0,60 m
Age group	6-14 years
In accordance w/ EN standards	1176-1:2017
Weight of the heaviest part [kg]	26
Dimension of the biggest part [cm]	420x10x10
Availability of spare parts	Yes

Minimal space



## Material specification

- Galvanized and/or powder coated steel 100 x 100 mm construction;
- All screws or screws covered with colorful plastic caps;
- No sharp edges or chinks that would pose a danger of jamming the head, fingers or any other body parts;
- Top of the construction is secured with safe rubber caps;
- Stainless steel chain hooks;
- Calibrated chain preventing the fingers from jamming;

## Additional information

- The equipment is certified by an accrediting organization or by certificate of conformity;
  - Depth of foundations on a flat surface : 100 cm;
  - The equipment is designed for public playgrounds;
- The equipment render is of an illustrative nature and shows only the general specification of the equipment, but not its actual appearance. The colours may differ from those demonstrated on render.

## Surfaces

Due to the free fall height of the equipment, the EN 1176-1:2017 standard allows the following surfaces: turf/soil (A), sand with minimal layer thickness of 30 cm (A), synthetic material approved for free fall of 0,60 m (A)