

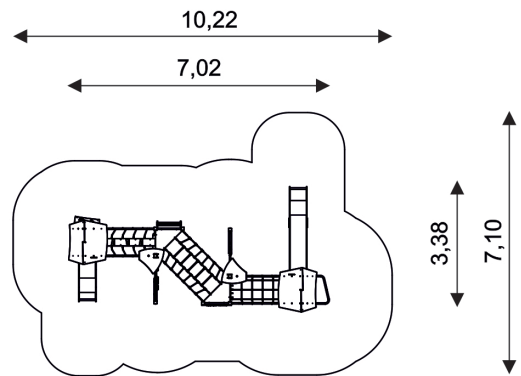
WIN PLAY STEEL+ 1711

PLAYGROUND EQUIPMENT



Device Specifications	
Safety zone	55,00 m <sup>2</sup>
Length	7,02 m
Width	3,38 m
Total height	3,73 m
Free fall height	2,00 m
Age range	3-14 years
In accordance w PN-EN standards	1176-1:2017
Availability of spare parts	Yes
Dimension of the biggest part [cm]	8x8x396
Weight of the heaviest part [kg]	23,3 kg

Minimal space



#### MATERIAL SPECIFICATION

- Stainless steel or Galvanized and/or powder coated steel 80x80 mm construction;
  - Roofs and panels are made of atmospheric condition resistant HDPE plates;
  - Durable, anti-slip and waterproof platforms and climbing walls made of HPL;
  - Screws covered with plastic caps or made of stainless steel;
  - Top of the construction is secured with rubber caps;
  - Stainless steel bars and handrails;
  - Platforms made of metal, hot-drip galvanized and powder coated;
  - Portholes and windows made of polycarbonate;
  - Slides made of stainless steel;
  - Steel ropes braided with PP, connected by durable plastic elements;
  - Fireman's pole made of stainless steel;
  - Calibrated chain, preventing fingers from getting trapped;
  - Certified, safe seat;
  - Durable, colorful climbing rocks;
- 

#### ADDITIONAL COMMENTS

- Depth of foundations on a flat surface 80/70/60 cm;
  - No sharp edges or chinks that would pose a danger of jimmieing the head, fingers or any other body parts;
  - The equipment is designed for public playgrounds;
  - The equipment render is of an illustrative nature and shows only the general specification, but not actual appearance;
  - Slides should not be installed southwards;
- 

#### SURFACES

Due to the free fall height of the equipment, the PN-EN 1176-1:2017 standard allows the following surfaces: turf/ soil (A,B,C), sand with minimal layer thickness of 40 cm (A,C), synthetic material approved for free fall of 2,00 m (A,B,C).