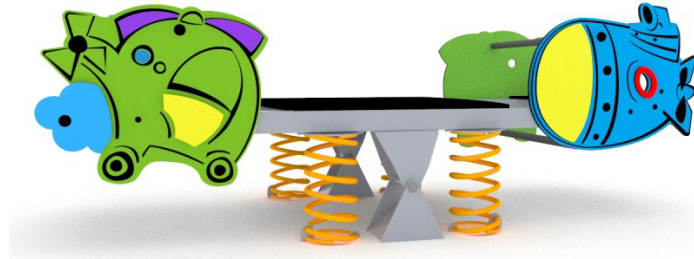


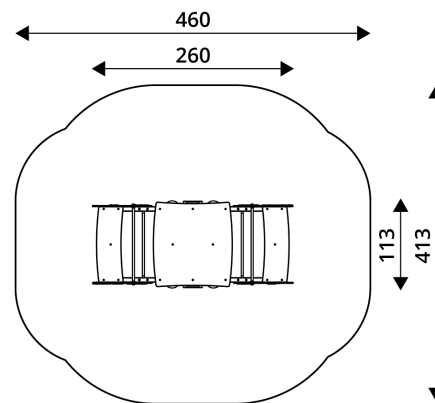
WIN PLAY SPRING 0671

double spring rider with platform



Device Specifications	
Safety zone	16,1 m ²
Length	2,60 m
Width	1,13 m
Total height	0,89 m
Free fall height	< 0,60 m
Age range	3 - 12 years
In accordance w/ EN standards	1176-1:2017
Availability of spare parts	Yes

Minimal space



Material Specification

- Steel spring 20 mm, iron phosphorated and powder coated;
- Colorful, durable elements made of a atmospheric condition resistant HDPE plate;
- All screws covered with colorful plastic caps;
- No sharp edges or chinks that would pose a danger of jamming the head, fingers or any other body parts;
- Galvanized and/or powder coated steel construction;

Additional comments

- Depth of foundations on a flat surface : 40 cm;
- The equipment is designed for public playgrounds; The equipment render is of an illustrative nature and shows only the general specification of the equipment, but not its actual appearance. The colours may differ from those demonstrated on render.

Surfaces

Due to the free fall height of the equipment, the EN 1176-1:2017 standard allows the following surfaces: turf, soil (A,B), sand with minimal layer thickness of 30 cm (A), synthetic material approved for free fall of 0,60 m (A,B)