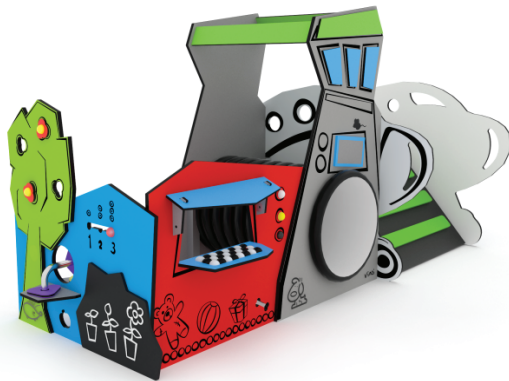


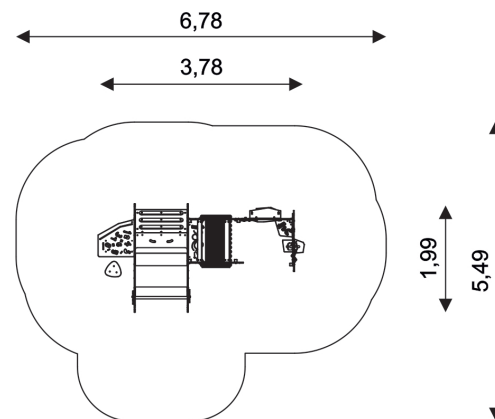
WIN PLAY SOLO 0841

SOLO SLIDE



Device Specifications	
Safety zone	29,0 m ²
Length	3,78 m
Width	1,99 m
Total height	1,44 m
Free fall height	< 0,60 m
Age range	1-8 years
In accordance w PN-EN standards	1176-1:2017
Availability of spare parts	Yes

Minimal space



MATERIAL SPECIFICATION

- Galvanized and/or powder coated steel 80x80 mm construction;
- Top of the construction is secured with rubber caps;
- Roofs and panels are made of atmospheric condition resistant HDPE plates;
- Screws covered with plastic caps or made of stainless steel;
- Slides made of stainless steel;
- Double-walled pipe tunnel made of PP polypropylene;
- Durable, anti-slip and waterproof platforms and climbing walls made of HPL;
- Stainless steel bars and handrails;

ADDITIONAL COMMENTS

- Depth of foundations on a flat surface 80/70/60 cm;
- No sharp edges or chinks that would pose a danger of jimmie the head, fingers or any other body parts;
- The equipment is designed for public playgrounds;
- The equipment render is of an illustrative nature and shows only the general specification of the equipment, but not actual appearance;
- The equipment is suitable for people with disabilities;

SURFACES

Due to the free fall height of the equipment, the PN-EN 1176-1:2017 standard allows the following surfaces: turf/ soil (A,B,C), sand with minimal layer thickness of 30 cm (A,C), synthetic material approved for free fall of 0,60 m (A,B,C).