

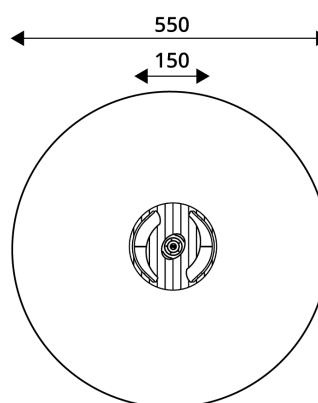
## WIN PLAY ROBINIA RB1373

PLAYGROUND EQUIPMENT



Device Specifications	
Safety zone	23,8 m <sup>2</sup>
Diameter	150 cm
Total height	70 cm
Free fall height	70 cm
Age area	3-14 years
In accordance EN standards	1176-1:2017
Weight of the heaviest part [kg]	71 kg
Dimension of the biggest part [cm]	148x148x0,6
Availability of spare parts	Yes

Minimal space



## MATERIAL SPECIFICATION

- Steel construction elements, hot-dip galvanized or hot-dip galvanized and powder-coated,
- Roofs, platforms, gangways, side panels and seats made of Robinia - very durable acacia wood, resistant to weather conditions,
- Handle made of durable, waterproof HPL plate,
- Stainless steel handrails,
- Stainless steel and/or galvanized steel screws,
- Screws covered with plastic caps or stainless steel screws.

## ADDITIONAL COMMENTS

- equipment adapted for the disabled; intended for public playgrounds,
- equipment has a certificate issued by an accredited entity or a declaration of conformity;
- no sharp edges or chinks that would pose a danger of jimmieing the head, fingers or any other body parts;
- anchoring on flat surface, 80/70/60 cm deep;
- render is for reference only, the actual appearance of the equipment and its color may vary.

## SURFACES

Due to the free fall height of the equipment, the EN 1176-1:2017 standard allows the following surfaces: turf/ soil (A,B,C), sand with minimal layer thickness of 30 cm (A,C), synthetic material approved for free fall of 0,70 m.