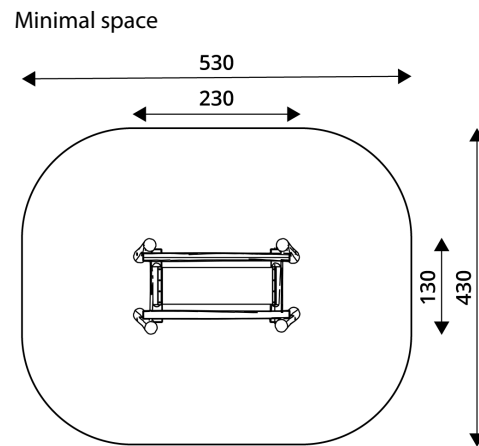


WIN PLAY ROBINIA RB1279

PLAYGROUND EQUIPMENT



Device Specifications	
Safety zone	20,9 m <sup>2</sup>
Length	230 cm
Width	130 cm
Total height	100 cm
Free fall height	< 60 cm
Age area	1-8 years
In accordance with EN standard	1176-1:2017
Weight of the heaviest part [kg]	46 kg
Dimension of the biggest part [cm]	200x18x18
Availability of spare parts	Yes



MATERIAL SPECIFICATION

- Construction made of Robinia - very durable acacia wood with a diameter of ~ 18 cm without sharp edges, resistant to weather conditions,
- Rubber bridge with textile reinforcement,
- Stainless steel and/or galvanized steel screws,
- Screws covered with plastic caps or stainless steel screws.

ADDITIONAL COMMENTS

- equipment intended for public playgrounds,
- equipment has a certificate issued by an accredited entity or a declaration of conformity,
- no sharp edges or chinks that would pose a danger of jimmie the head, fingers or any other body parts,
- anchoring on flat surface, 80 cm deep,
- slide should not be installed southwards, render is for reference only, the actual appearance of the equipment and its color may vary.

SURFACES

Due to the free fall height of the equipment, the EN 1176-1:2017 standard allows the following surfaces: turf/ soil (A,B,C), sand with minimal layer thickness of 30 cm (A,C), synthetic material approved for free fall of 0,60 m.