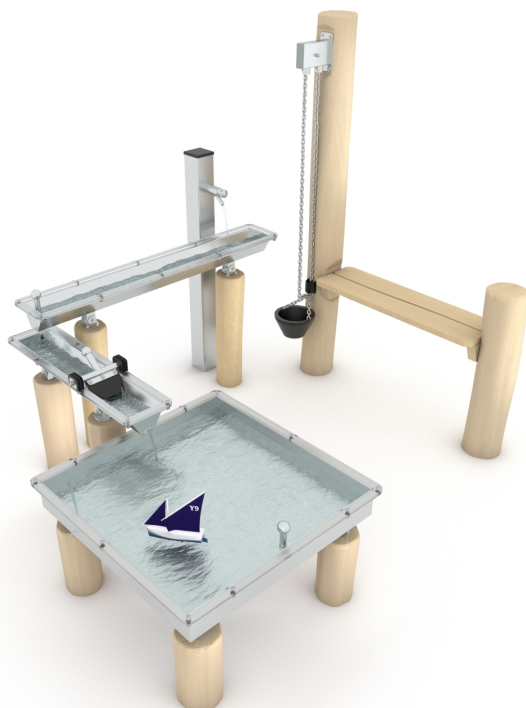


Product technical sheet

ROBINIA RB2856



+1



20,2 m²

Material specification

- Construction made of Robinia - very durable acacia wood with a diameter of ~ 14 cm without sharp edges, resistant to weather conditions,
-
- Seats/backrests made of Robinia - very durable acacia wood without sharp edges, resistant to weather conditions,
- Calibrated stainless steel chains, preventing fingers entrapment,
- Screws covered with plastic caps and/or stainless steel screws,



Facilitating disability



easy access



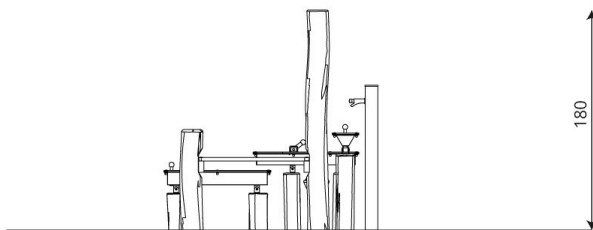
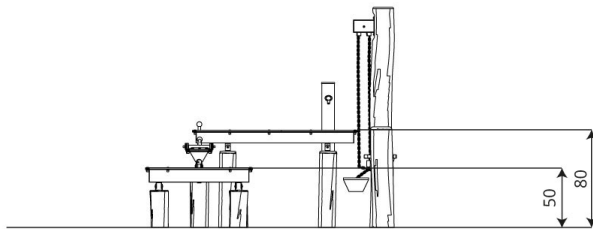
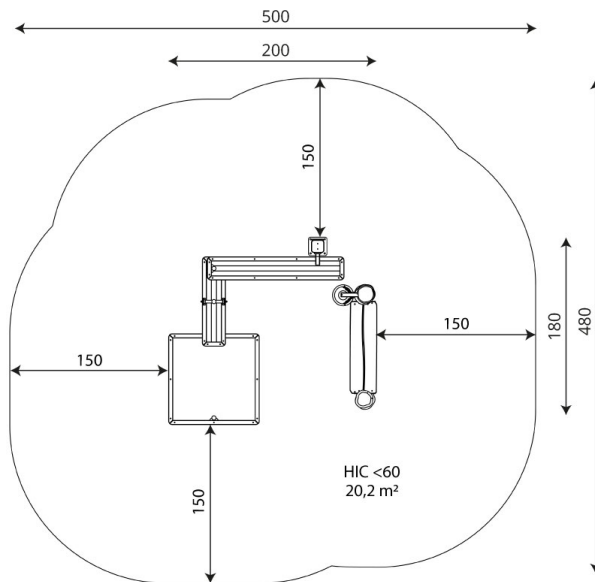
Intellectual development



le sensoriel



thinking



Product technical sheet

ROBINIA RB2856

Product data

Length	200 cm
Width	180 cm
Total height	180 cm
Age group	+1 years
Safety zone	20,2 m2
Free fall height	<60 cm
In accordance with norm EN	1176-1:2017
Weight of the heaviest part	21 kg
Availability of spare parts	YES

Data is subject to change without prior notice.

Additional information

- equipment adapted for the disabled; intended for public playgrounds;
- no sharp edges or chinks that would pose a danger of jimmie the head, fingers or any other body parts;
- anchoring on flat surface, 80/70 cm deep;
- render is for reference only, the actual appearance of the equipment and its color may vary;

Guarantee

30 30 year guarantee - Structural strength of steel and stainless steel components

15 15 year guarantee - Structural failure of steel and stainless steel, for dynamic equipment

10 10 year guarantee - Structural failure of high density polyethylene and high pressure laminates components

5 5 year guarantee - Corrosion of stainless steel and hot dip galvanized and powder coated components; against bark beetles and rot in case of wooden structural elements

Detailed information in the guarantee card

Surfaces according to EN 1176-1:2017

	Description (mm)	Layer thickness (cm)	Maximum fall heights (cm)
Turf/ top layer of soil (A,B,C)	-	-	≤100
bark (A,C)	Particle size from 20 to 80	30	≤200
		40	≤300
woodchips (A,C)	Particle size from 5 to 30	30	≤200
		40	≤300
sand or gravel (A,C)	Particle size from 0,25 to 8	30	≤200
		40	≤300
synthetic attested (A,B,C)	Tested according to EN 1177		<60

Amount of safe surface corresponding with free fall height:

HIC <60 20,2 m²

Data is subject to change without prior notice.

