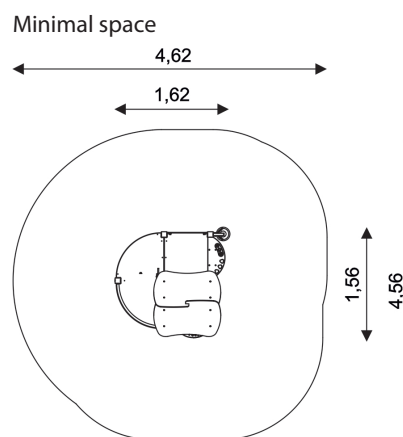


WIN PLAY MINISWEET 0102

PLAYGROUND EQUIPMENT



Device Specifications	
Safety zone	17,61 m ²
Length	1,62 m
Width	1,56 m
Total height	1,69 m
Free fall height	< 0,60 m
Age range	1-8 years
In accordance PN-EN standards	1176-1:2017
Weight of the heaviest part [kg]	28
Dimension of the biggest part [cm]	235x15x15
Availability of spare parts	Yes



MATERIAL SPECIFICATION

- Stainless steel or galvanized and powder coated steel 80 x 80 mm construction;
- Roofs and panels are made of atmospheric condition resistant HDPE plates;
- Durable, anti-slip and waterproof platforms and climbing walls made of HPL;
- Screws covered with plastic caps or made of stainless steel;
- Top of the construction is secured with rubber caps;
- Calibrated chain, preventing fingers from getting trapped;

ADDITIONAL COMMENTS

- Depth of foundations on a flat surface 80/70/60 cm;
- No sharp edges or chinks that would pose a danger of jimmieing the head, fingers or any other body parts;
- The equipment is designed for public playgrounds;
- The equipment render is of an illustrative nature and shows only the general specification of the equipment, but not actual appearance;
- The equipment is suitable for people with disabilities;
- The equipment is certified by an accrediting organization or by certificate of conformity;

SURFACES

Due to the free fall height of the equipment, the PN-EN 1176-1:2017 standard allows the following surfaces: turf/ soil (A,B,C), sand with minimal layer thickness of 30 cm (A,C), synthetic material approved for free fall of 0,60 m (A,B,C).